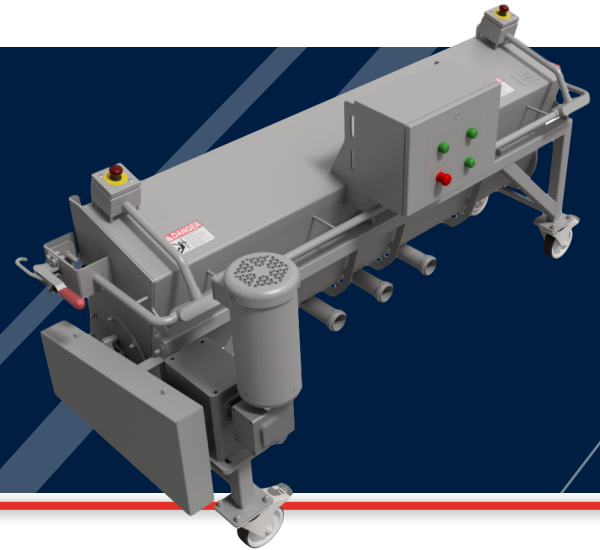
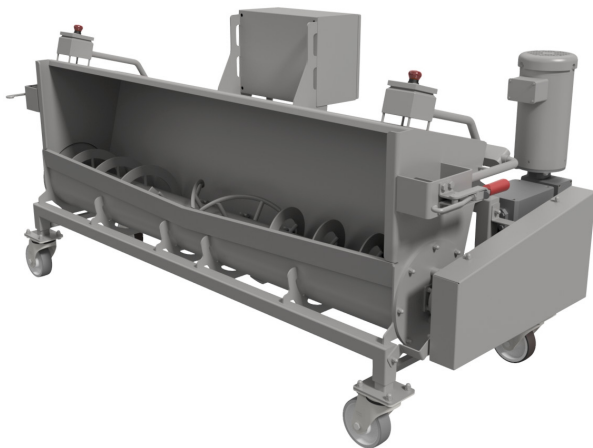


RELCO®'s **Curd Pick-Up Hopper** is designed with the customer in mind for safe operation, high throughput and reliable performance. The unit is available in multiple widths to fit up with a variety of Curd Table dimensions.



The RELCO® **Curd Pick-Up Hopper** is designed to provide reliable transfer of salted curd to; Blockformers, 640 lb Hoop Filling, 500 lb Barrel Filling or Manual Hooping of a variety of cheeses. The Pick-Up Hopper can be moved (manually) on casters or on an Overhead Rail System. The unit can be configured for air (blowing), air (vacuum) or mechanical (auger) transfer from the Curd Table to downstream processes.



FEATURES:

- High capacity hopper handles a significant amount of product while the Curd Table is retrieving more cheese
- Ribbon Auger moves the cheese efficiently and gently from the sides of the hopper to the center pick-up point(s)
- Tines are attached to the Ribbon Auger Shaft to assist curd from bridging in front of the vacuum ports
- Proximity Switches to confirm proper fit-up to Curd Table and operator safety
- Stainless steel bearing
- Meets USDA Guidelines

OPTIONS:

- Frame with swivel casters for movement from table to table
- 10" diameter Star Valve has a wide throat for efficient curd transfer
- 12" diameter Star Valve has a wide throat for efficient curd transfer
- Frame with mounting structure for Overhead Rail System

